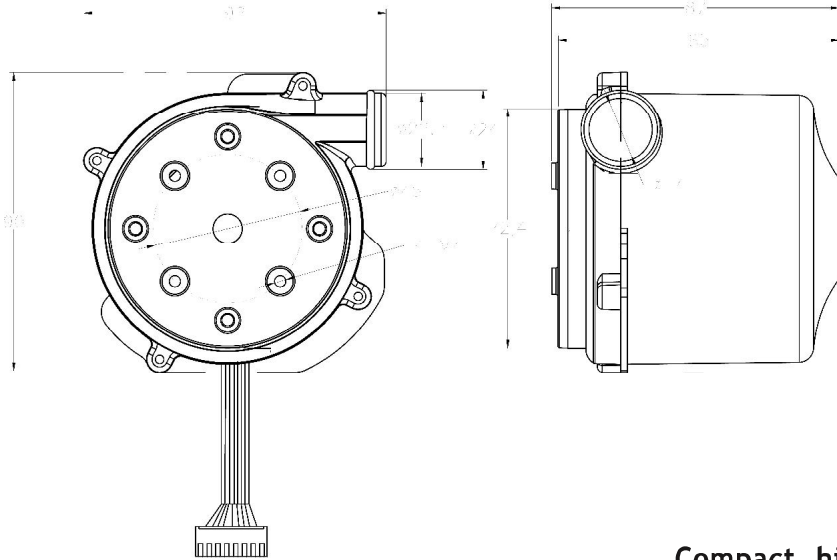


BLDC Blowers



Compact, high efficiency, low noise, powerful BLDC Blowers. Centrifugal construction, compact size & light weight. High static air pressure at 24,000 rpm and easy connection.

Pressure (cm H2O)	FLOW		Current(A)
	(L/min)68 XSV	Impeller Speed	
0	907	23600	7.6
30	735	24000	7.4
50	653	24200	7.1
70	498	24770	6.8
80	395	24990	6.4
90	285	25300	6.2
100	245	25500	5.3
110	90	25990	4.6
115	0	26430	3.8

NOTES:

- This Blower operates with an external drive controller
- External drive controller is available from us, customers can use their own driver controller.
- Speed is controlled by varying the input voltage
- Please make sure proper polarity for power connection.
- Don't open the blower without technician's guidance

ITEM	UNIT	SPECIFICATION (24V)
Part Number		WS9290-24-240-8
Rated Voltage	VDC	24
Operating Voltage Range	VDC	24
Impeller Speed (open)	RPM	24,000
Max Air Flow	L/Minute	1000
Current	A	5.8
Max Static Air Pressure (seal)	cm H ₂ O	120
Impeller Speed (seal)	RPM	24,000
Current (seal)	A	8.5
Noise Level	dBA	75 Max (1m from air inlet)
Motor Kind		DC Brushless
Bearing		NMB Ball Bearing
Configuration		Motor w/ Centrifugal Turbo Blade
Impeller		Centrifugal Turbo Blade
Housing		PC Material+Aluminum Base
Weight	G	360

T & C Asia

4850 Byzantine Court
Las Vegas, NV 89149

tel : (661) 702-8565
email: sales@tandcasia.com

T & C Asia

- Fractional and Sub-fractional Horsepower Motors & Gearmotors
- Brushless DC Motors and Controls
- Fans, Blowers and other Air Moving Devices
- Pumps, Compressors and Pressurized Tanks
- Power Supplies, Power Cords and Wiring Harnesses
- Value Added Assemblies & Contract Manufacturing
- Solar Technology including Solar DC Brushless Water Pumps

T & C Asia has been providing its customers with high quality electromechanical devices since 1987.

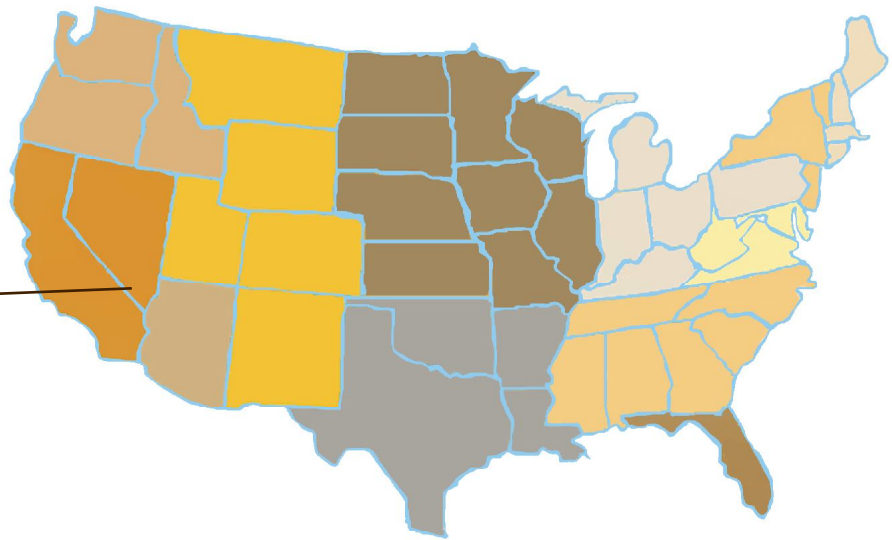
Backed by 20 years of experience, we have serviced various industries from motors used in medical exercise equipment to vending machines. Our strong engineering background allows us to aid our customers with design and selection of products minimizing the development time.

T & C Asia's dependable global supply has been critical to the profitability and long-term growth of many US Manufacturers. T & C Asia is not a trading company - we are not a middleman. We put you directly in contact with the manufacturer leaving little room for error.

There are numerous providers around, but few can offer the product knowledge, customer service and attention to detail that T & C Asia delivers.

Nationwide Service

T & C Asia
4850 Byzantine Court
Las Vegas, NV 89149
tel.: (661) 702-8565
fax: (360) 234-8510
email: sales@tandcasia.com



Your Representative: